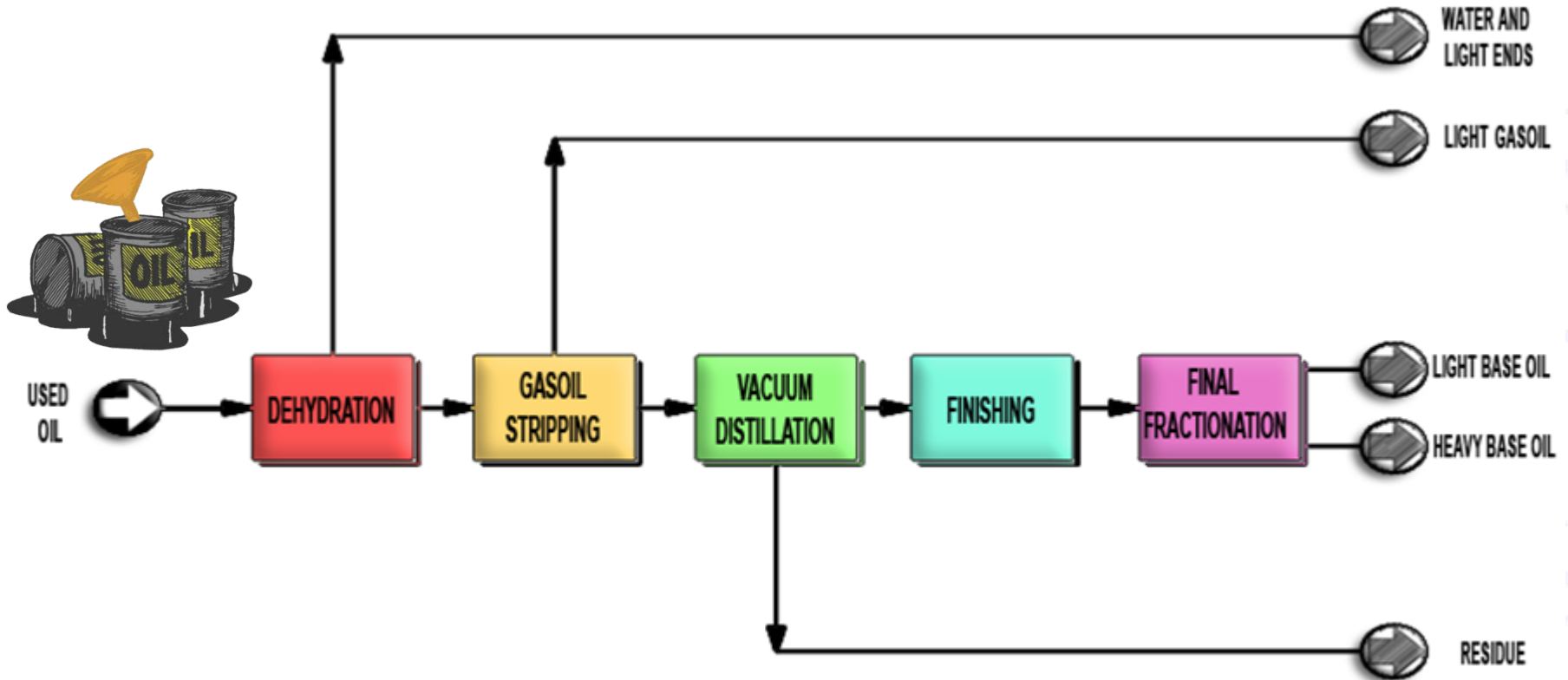


FLOW SCHEMES



BLOCK SCHEME



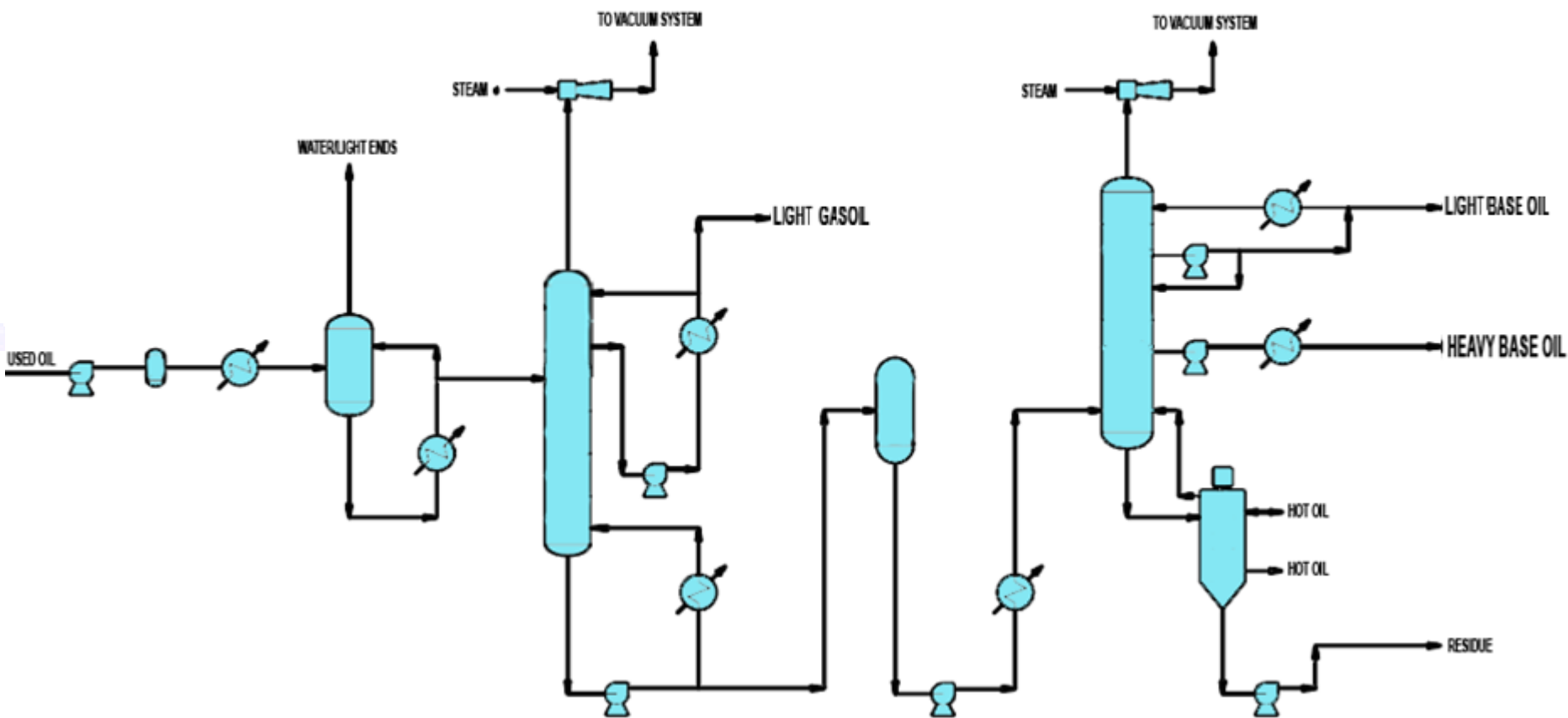
PRODUCTION OF BASE OIL GROUP I

DEHYDRATION

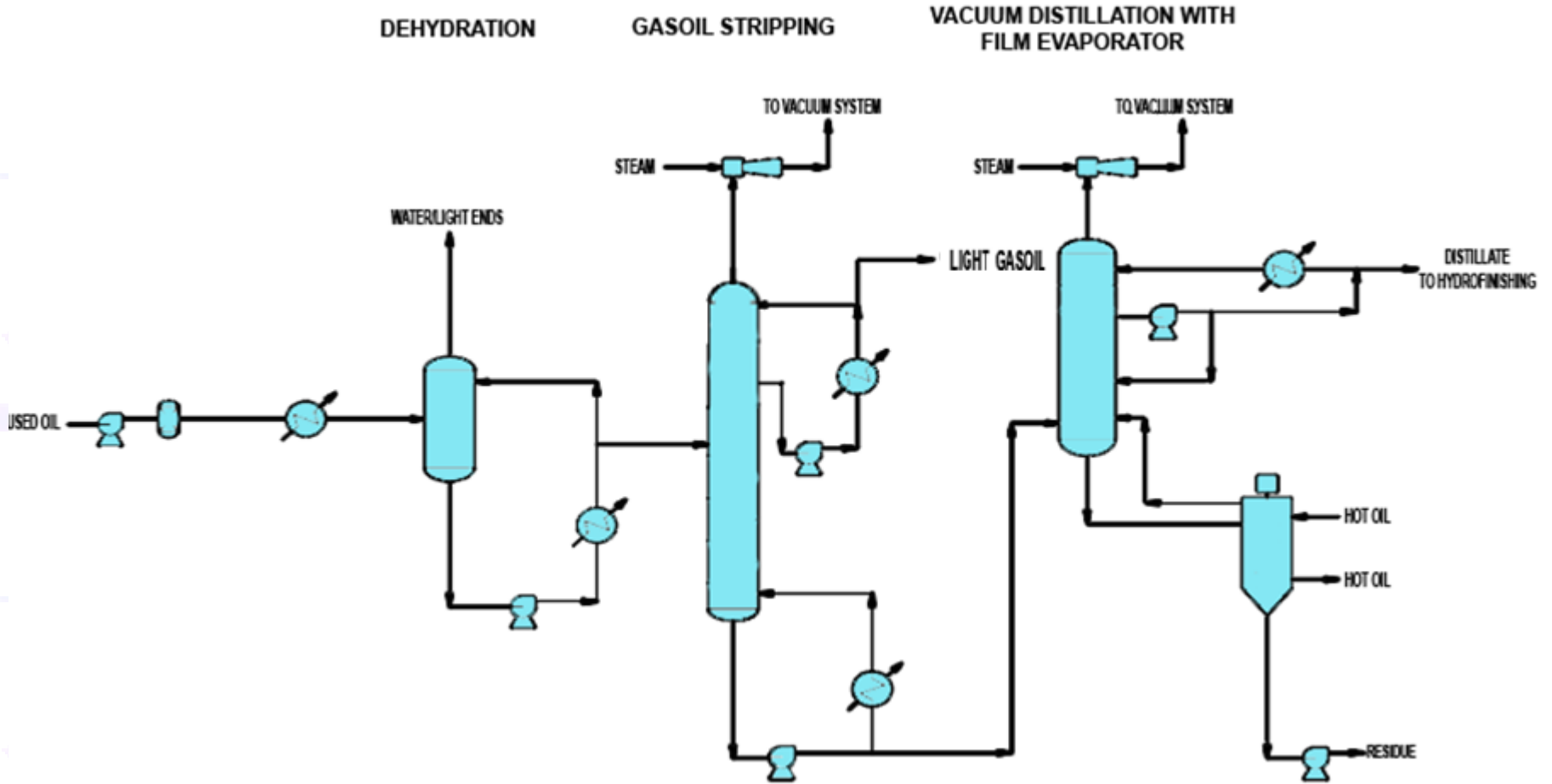
GASOIL STRIPPING

CHEMICAL REACTOR

VACUUM DISTILLATION WITH
FILM EVAPORATOR



PRODUCTION OF BASE OIL API GROUP II AND API GROUP I+



PRODUCTION OF BASE OIL API GROUP II AND API GROUP I+

